

PRODUCT MODEL NUMBER **SK-320M**

ELECTRICAL

A **220 Volt, 50 Hz, AC** only, **15-** or **20-amp** electrical supply, properly grounded in accordance with the National Electrical Code and local codes and ordinances, is required.

It is recommended that a separate circuit, serving only your ice maker, be provided. Use a receptacle which cannot be turned off by a switch or pull by chain.

WATER

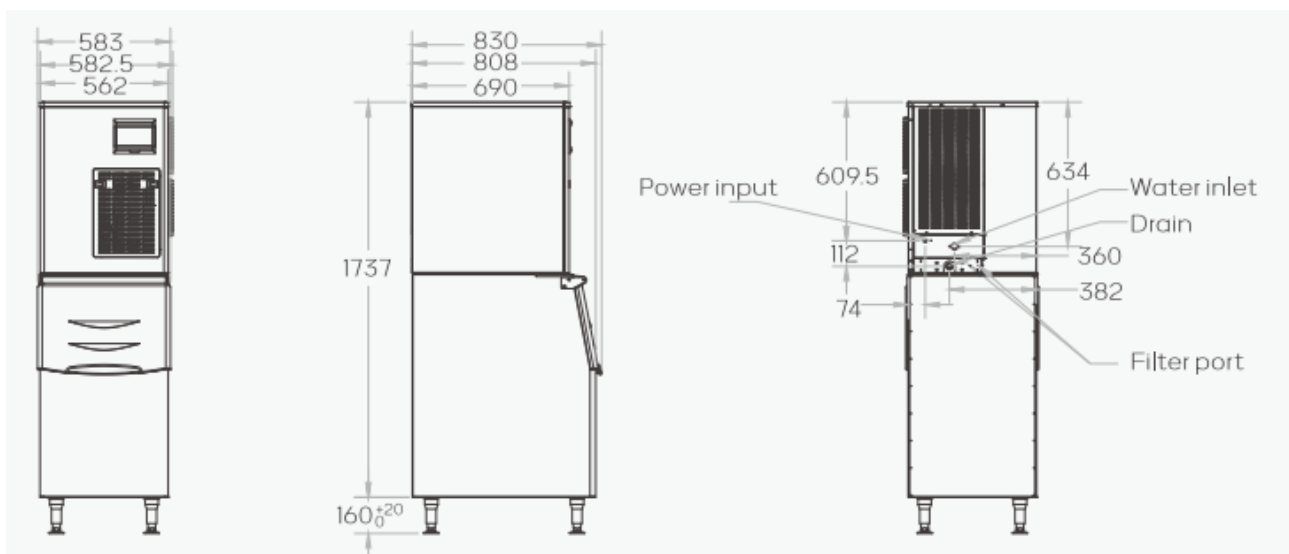
A cold water supply with water pressure between **0.13 Mpa [19 psi]** and **0.55 Mpa [80 psi]** is required to operate ice maker. If you have questions about your water pressure, call a licensed, qualified plumber.

LOCATION

To ensure proper ventilation for your ice maker, the front side must be completely unobstructed. The ice maker may be closed-in on the top and two sides, but the installation should allow the ice maker to be pulled forward for servicing if necessary.

- Installation of the ice maker requires a cold water supply inlet of **1/4" (6.35 mm)** OD soft copper tubing with a shutoff valve or drain pump, only to carry the water to an existing drain.
- Choose a well ventilated area with temperatures above **55°F (13°C)** and below **110°F (43°C)**. Best results are obtained between **70°F** and **90°F (21°C and 32°C)**.

ICE MAKER **UNIT DIMENSIONS**



- Check that the power supply cord is not damaged, or pinched or kinked between the ice maker and the cabinet.
- Check that the water supply line is not damaged, or pinched or kinked between the ice maker and the cabinet.
- Check that the drain line (on some models) is not damaged, or pinched or kinked between the ice maker and the cabinet.
- Choose a location where the floor is even. It is important for the ice maker to be level in order to work properly. If needed, you can adjust the height of the ice maker by changing the height of the leveling legs.

DRAIN CONNECTION

GRAVITY DRAIN SYSTEM

Connect the ice maker drain to your drain in accordance with all state and local codes and ordinances. If the ice maker is provided with a gravity drain system, follow these guidelines when installing drain lines. This will help keep water from flowing back into the ice maker storage bin and potentially flowing onto the floor, causing water damage.

- Drain lines must have a minimum of **5/8" (15.88 mm)** inside diameter.
- Drain lines must have a **1"** drop per **48" (2.54 cm)** drop per **122 cm** of run or **1/4"** drop per **12" (6.35 mm)** per **30.48 cm** of run and must not have low points where water can settle.
- The floor drains must be large enough to accommodate drainage from all drains.
- The ideal installation has a standpipe with a **1 1/2" (3.81 cm)** to **2" (5.08 cm)** PVC drain reducer installed directly below the outlet of the drain tube as shown. You must maintain a **1" (2.54 cm)** air gap between the drain hose and the standpipe.

IMPORTANT

A drain pump is necessary when a floor drain is not available.

IMPORTANT

- Plumbing Code and any local codes and ordinances.
- The drain pump discharge line must terminate at an open sited drain.
 - Maximum rise **10 ft (3.1 m)**
 - Maximum run **100 ft (30.5 m)**

NOTES

- If the drain hose becomes twisted and water cannot drain, your ice maker will not work.
- It may be desirable to insulate the drain line thoroughly up to the drain inlet.

Product Specifications



Crescent

- Crescent ice better control the dosage, balance the ratio of beverage and ice.
- Recommended hardness, not easy to melt, good for cold drinks.



Model	SK-320M
Machine Type	Modular
Output 24hrs	145kg / 24h
Ice Storage	125kg
Rated Voltage	110/220V
Frequency	50(220V)/60(110V)Hz
Power	900w
Gross Weight (Machine + Ice Bin)	120kg
Net Dimension [Feet Included (W × D × H/mm)]	560 × 830 × 1900 mm

HEAT KITCHEN EQUIPMENT

www.heatkitchenequipment.com

☎ + (60) 3-92026512 / + (60) 17-357 9281

✉ sale1@heatkitchenequipment.com

📍 Block 4-2-3, Jalan Bayam, Queen's Avenue,
55100 Cheras, Kuala Lumpur, Malaysia.

